

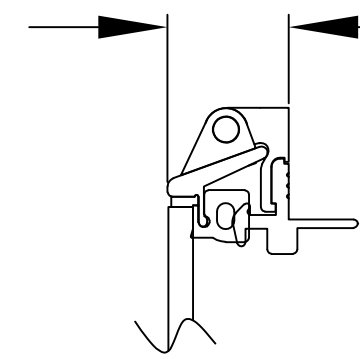
'X'

9/16 (14mm)

HINGE

1.750

TOP OF DECK
TO TOP OF LID



'Y'