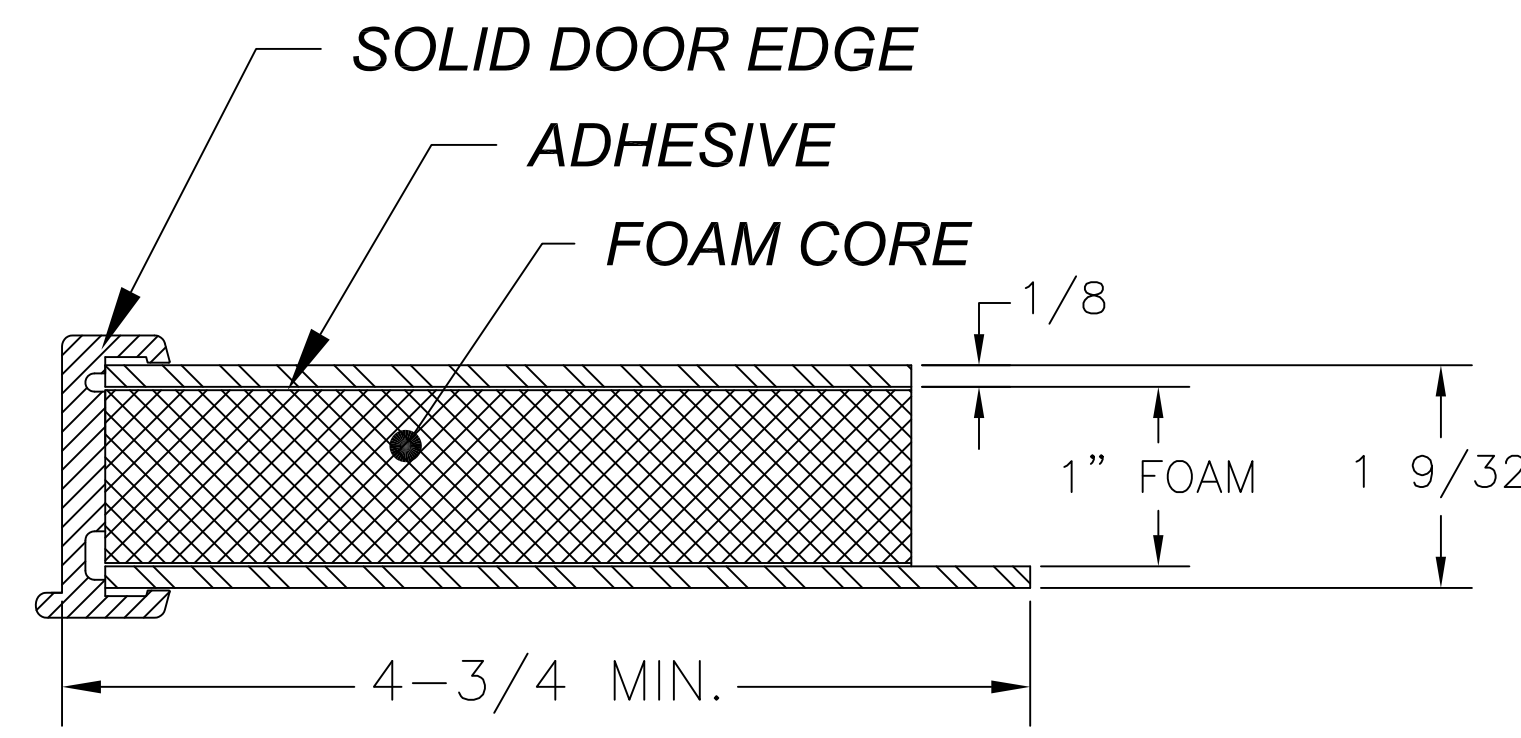
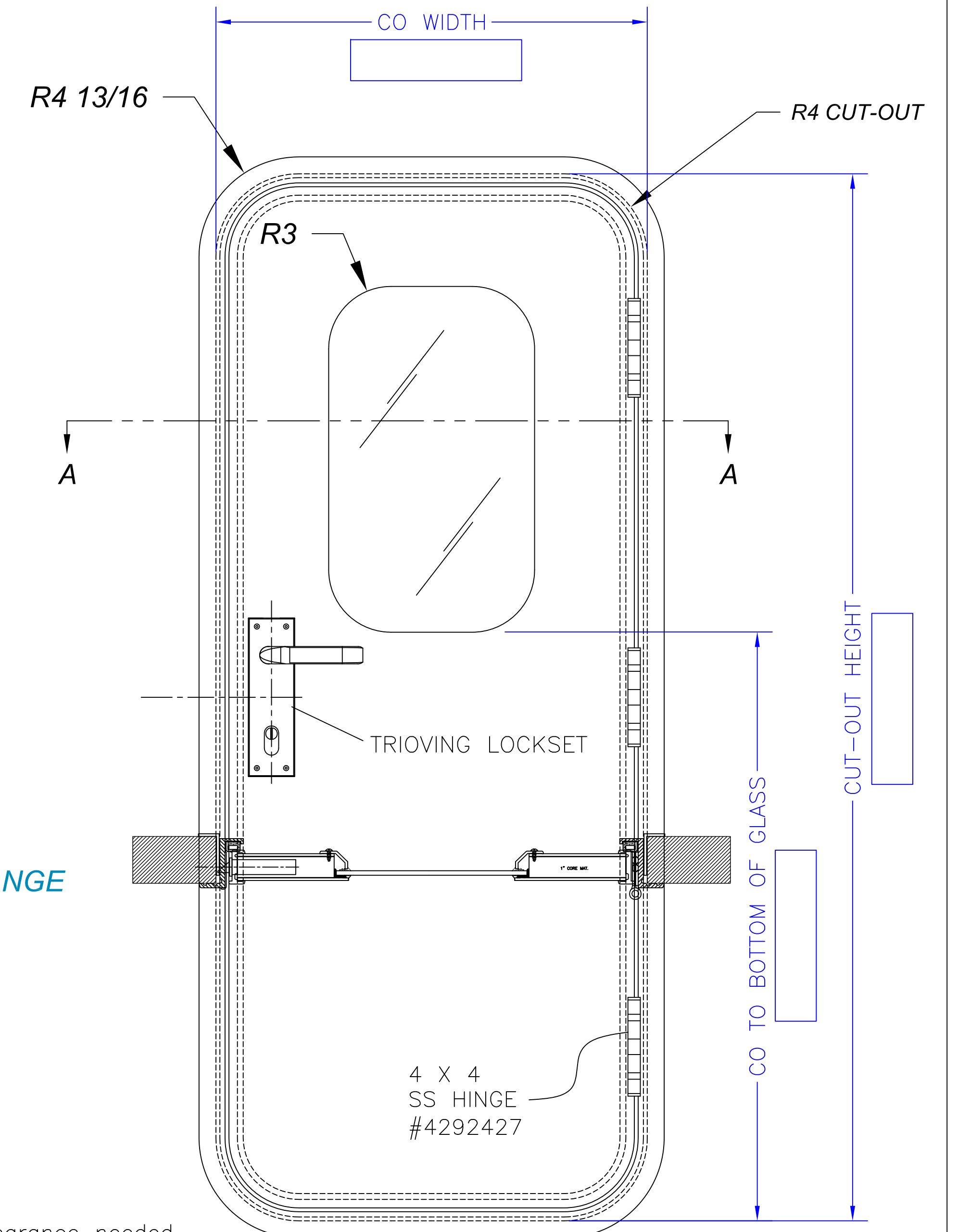


1600-RD SWING DOOR

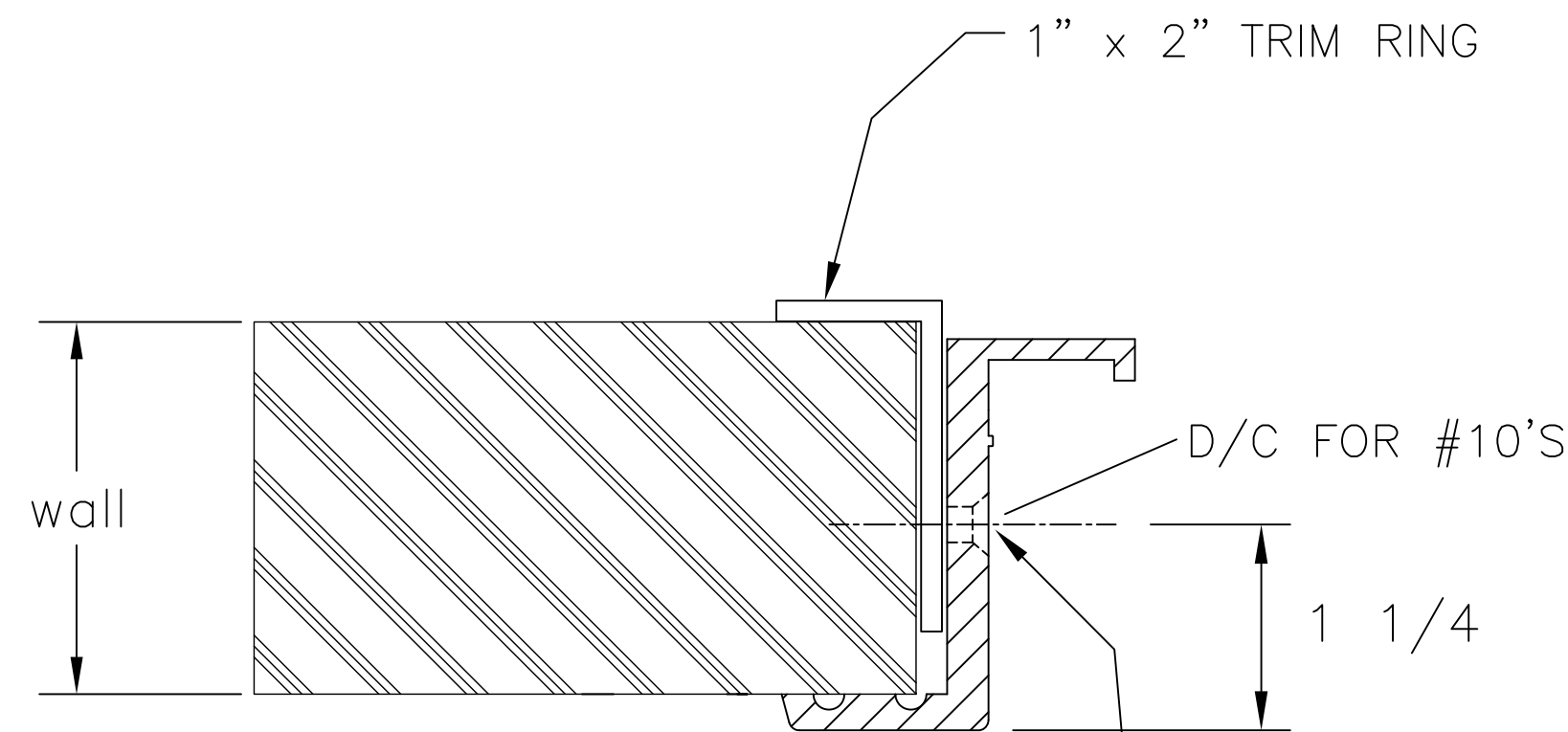
- DOOR SKINS 1/8" ALUMINUM LAMINATED TO 1" RIGID FOAM CORE
- WINDOW GLASS THICKNESS 6mm TO 12mm
- FRAME FITS CUT-OUT RADIUS OF 4
- TRIOVING KEYED LOCK
- 3 STAINLESS STEEL HINGES STANDARD
- OPTIONAL DOOR DOG AVAILABLE



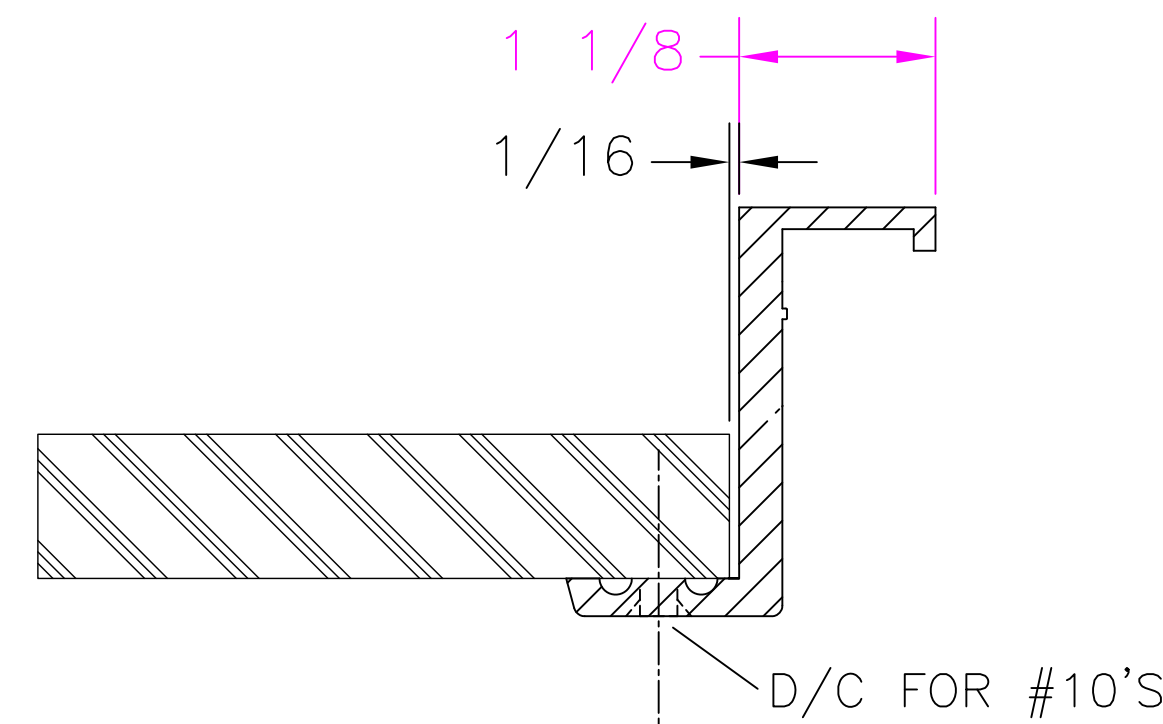
DOOR PANEL



DOOR UNIT - OUTSIDE VIEW
RH SHOWN - OUTSWING



MOUNTING HOLES THRU FRAME



MOUNTING HOLES THRU FLANGE

FRAME MOUNTING OPTIONS DT'L

CUSTOMER TO DRILL THRU EXISTING HOLES IN FRAME THRU TRIM RING AND SECURE DOOR UNIT. CAN BE USED W/O TRIM RING

RH or LH
DOOR SWING

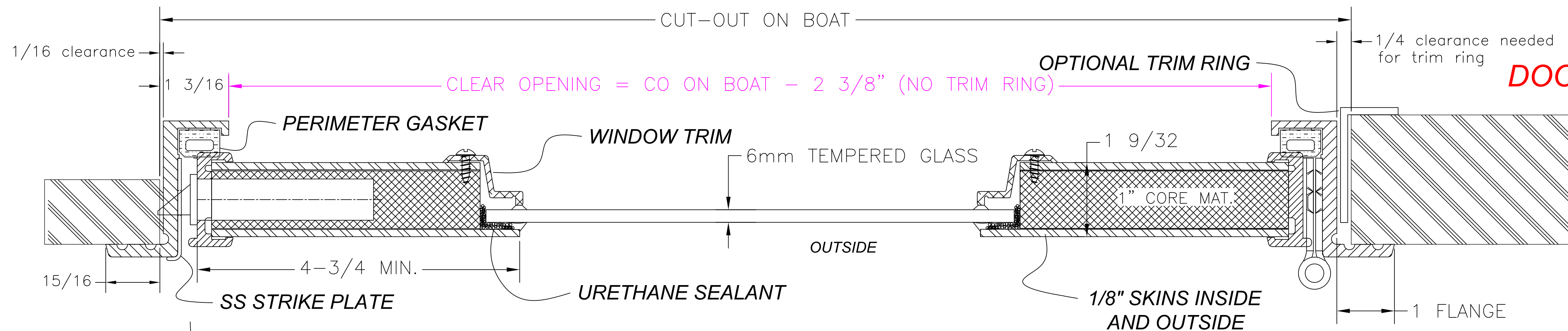
Y or N
TRIM RING WALL THICKNESS

MOUNTING HOLES THRU FLANGE

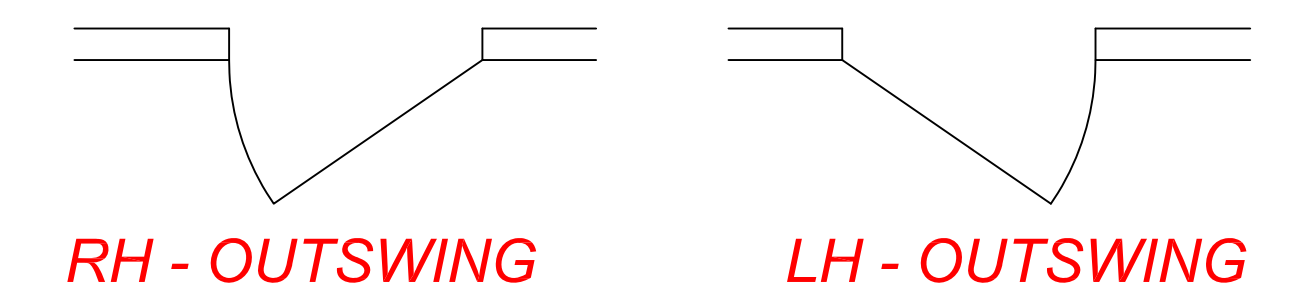
FRAME

GLASS THICKNESS TINT

FINISH



SECTION A-A
RH SHOWN



ALUMINUM 2000			
DIV. OF POMPANETTE, LLC			
CUSTOMER: SAMPLE			
MODEL: 1600-RD RIM CAPTURE DOOR			QUANTITY/BOAT
I.D. NO.	DRAWING NO:	SCALE: 1:1	DRAWN BY: DJM
REV.	DRAWING NAME: SAMPLE DRAWING		DATE: 3/12/15
			PAGE 1

SWING



INSIDE VIEW



OUTSIDE VIEW

6 mm TEMPERED GLASS
STANDARD
UP TO 12 mm OPTIONAL

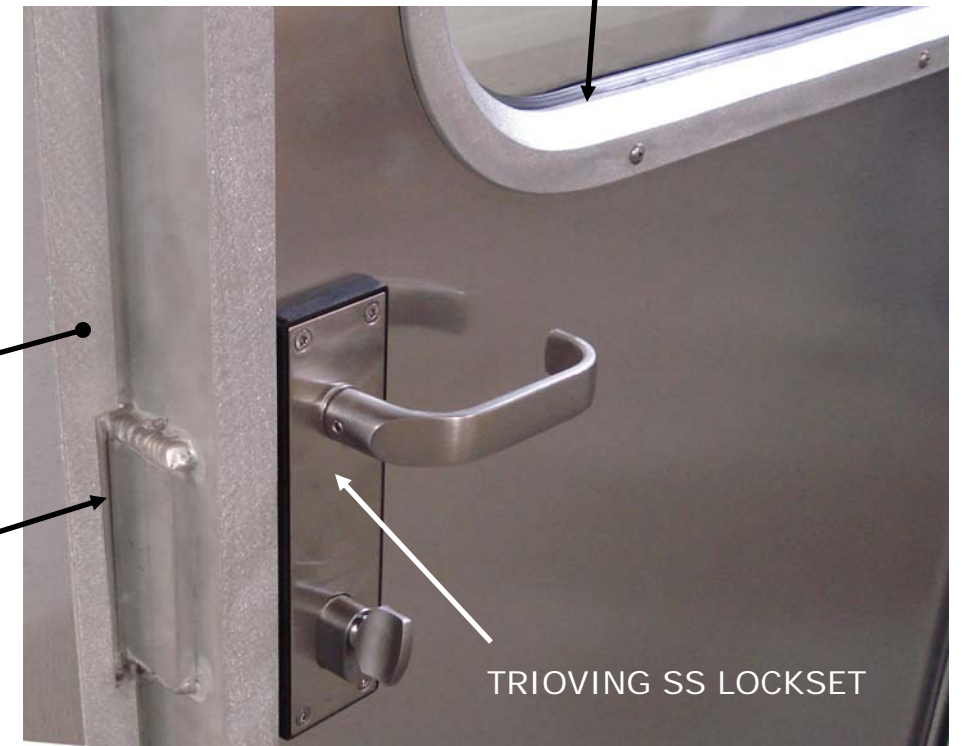


4" X 4" SS HINGES



SS STRIKE PLATE

INTERIOR GLASS
TRIM



1" FLANGE

WELDED
LOCK
MILLING
COVER

TRIOVING SS LOCKSET

DOGS ARE AN OPTION



INSIDE DOG DETAIL



OUTSIDE DOG DETAIL

1600-RD HINGED DOOR

