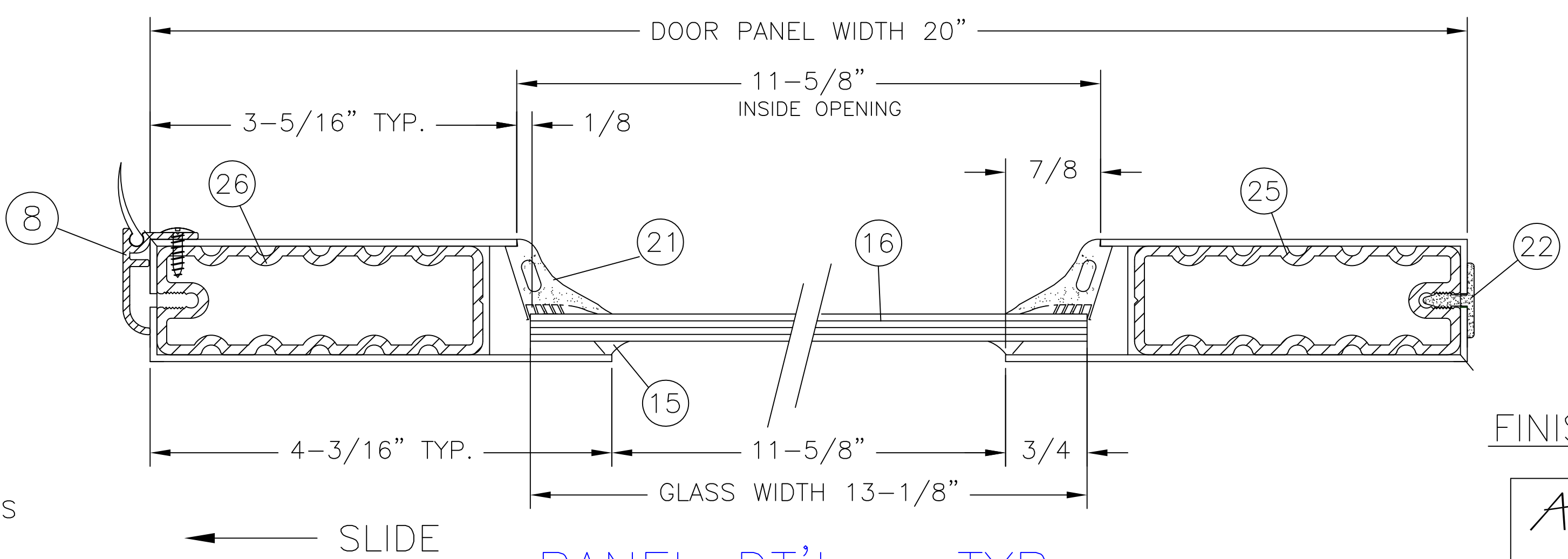
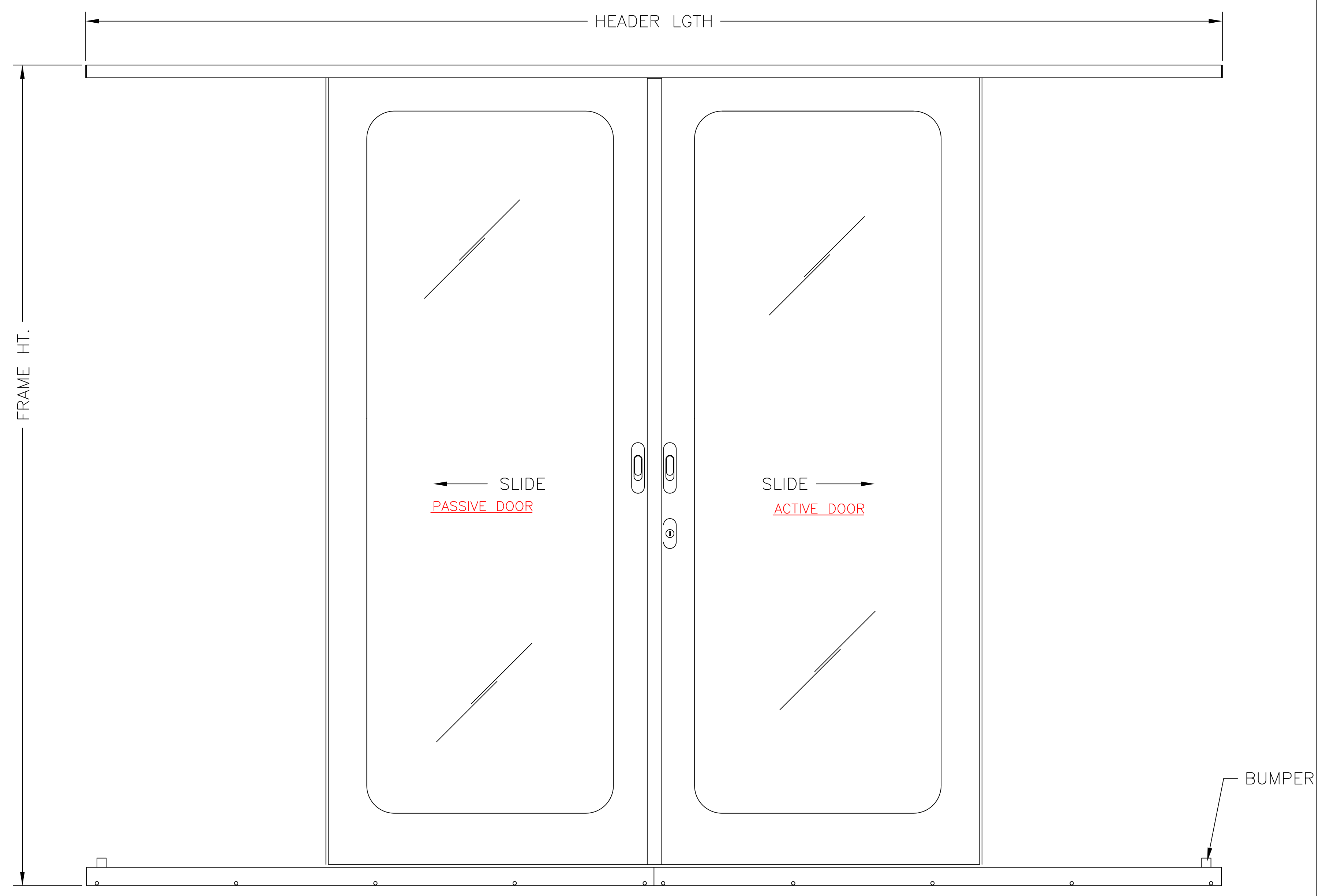


SECTION VIEW - DOOR FRAME



PANEL DT'L - TYP.
PASSIVE PANEL SHOWN - ACTIVE OPP.

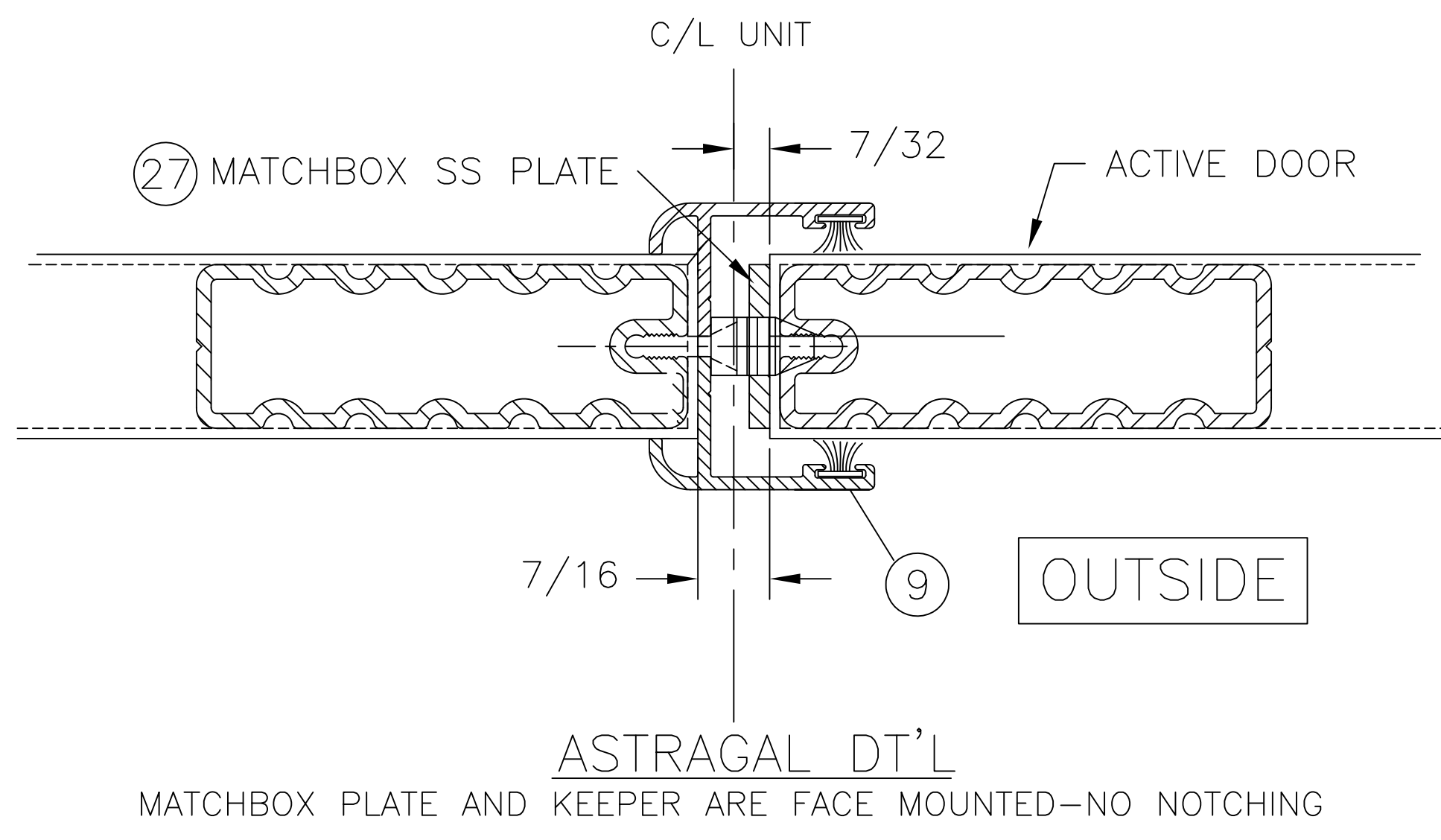
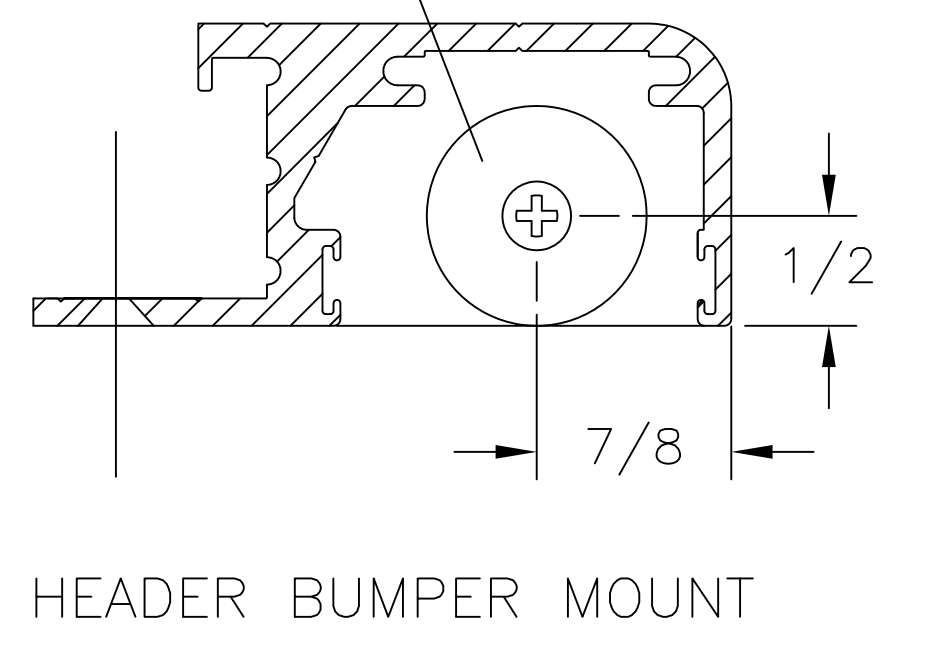
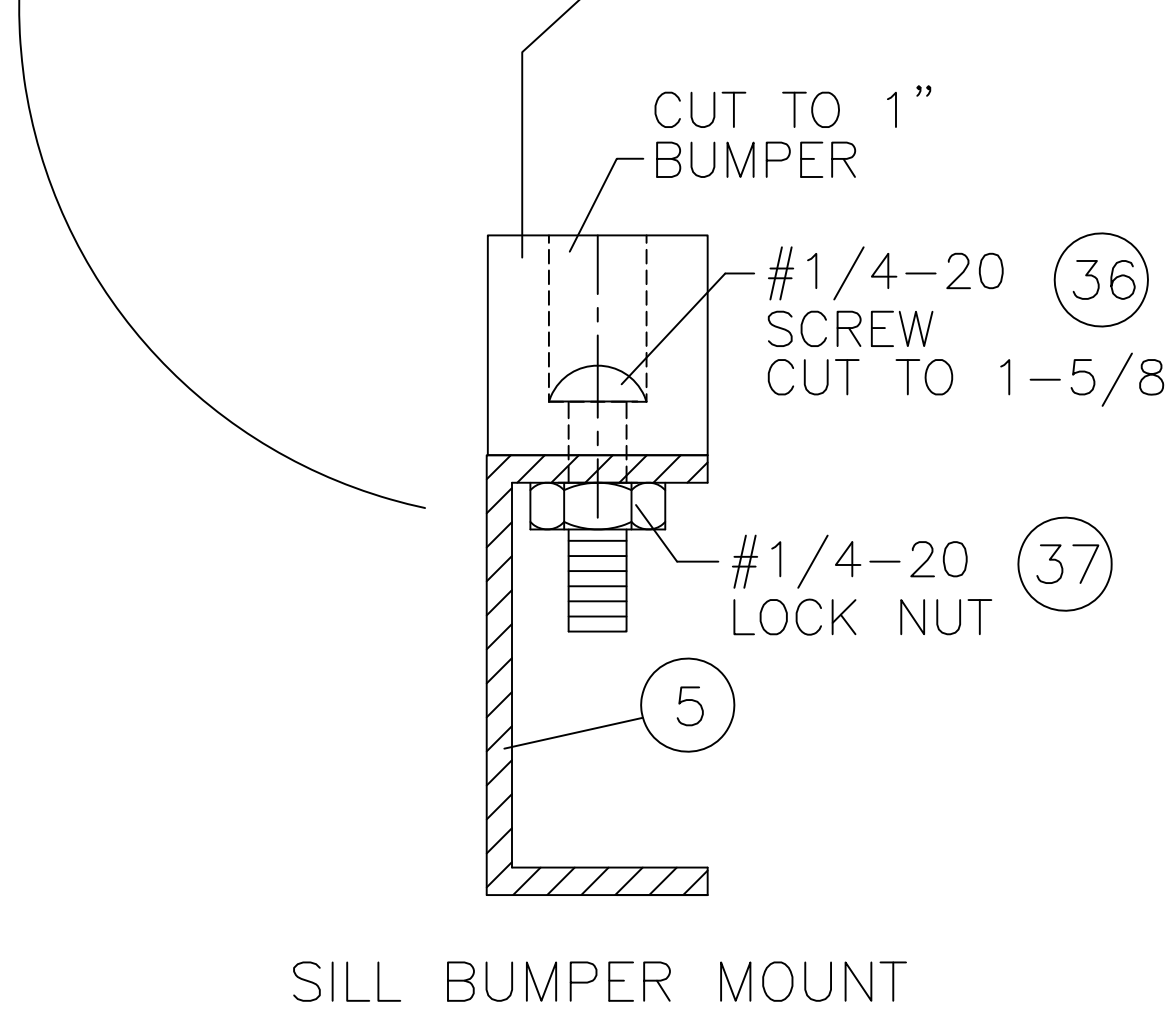
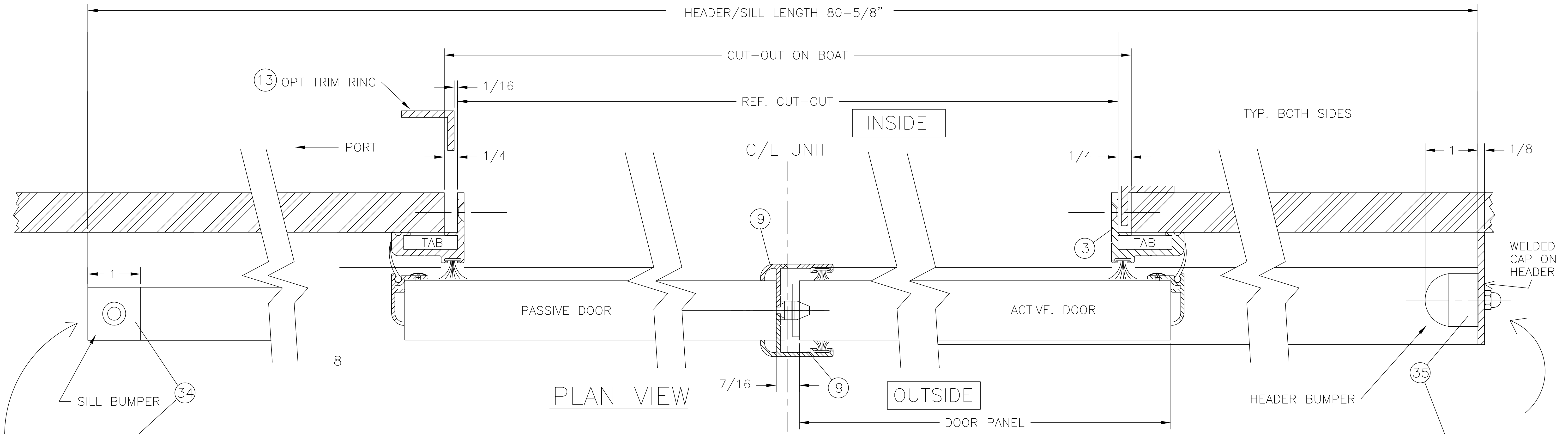
NOTE
PASSIVE DOOR GETS PROCESSED FOR LOCKSET WITHOUT THE KEY CYLINDER HOLE

FINISH:

ALUMINUM 2000
DIV. OF POMPANETTE, LLC

CUSTOMER:	
MODEL:	QUANTITY/BOAT
1600-B X-X SLIDING DR	

I.D. NO.	DRAWING NO.	SCALE:	DRAWN BY:	DATE:
		NTS	DJM	
REV.	DRAWING NAME:	PAGE		
	SECTION VIEW-PANEL DETAILS	1		



FINISH:

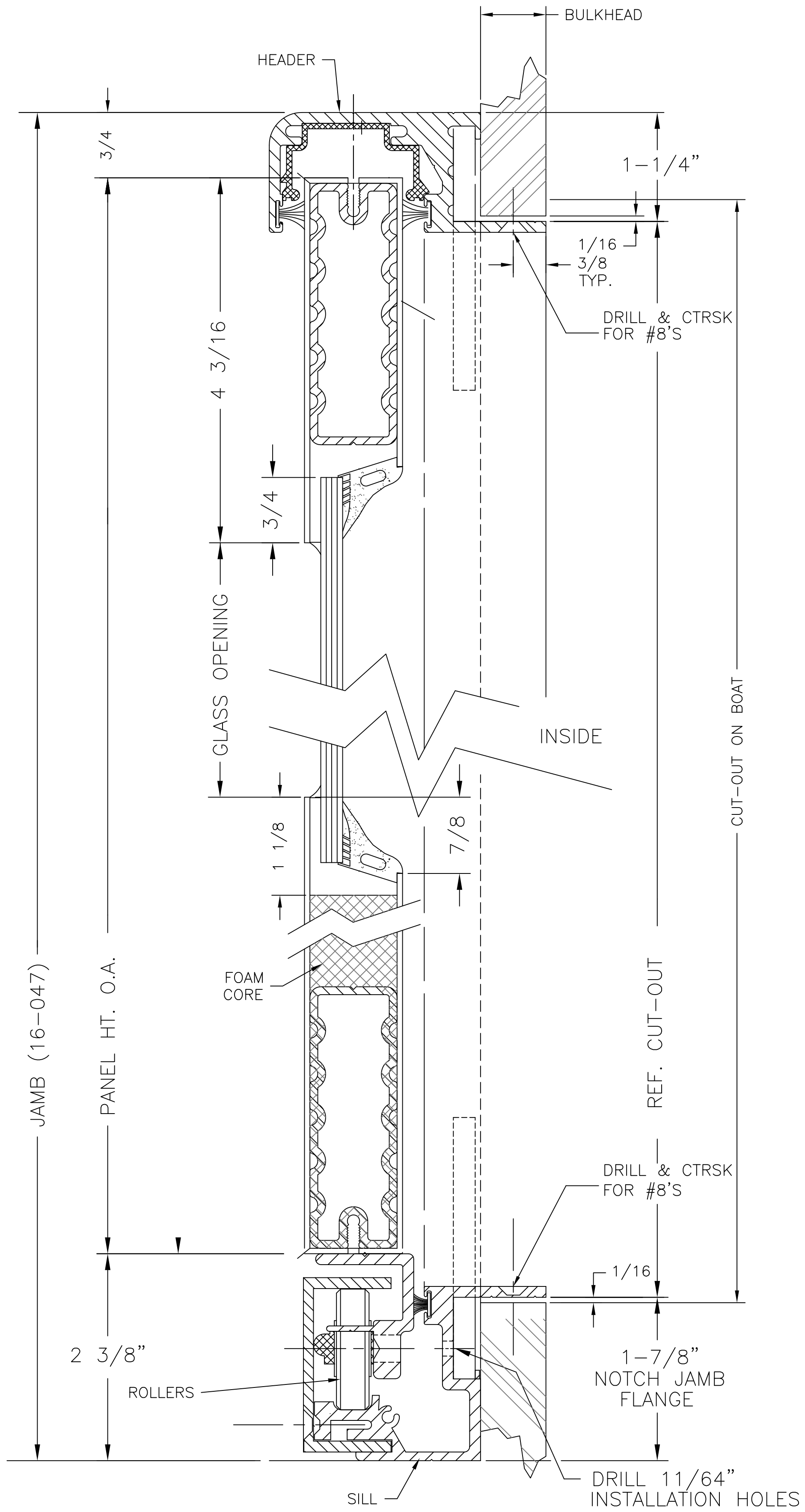
ALUMINUM 2000
DIV. OF POMPANETTE, LLC

CUSTOMER: —

MODEL:	1600-B X-X SLIDING DR	QUANTITY/BOAT:	1 EA.
I.D. NO.:	DRAWING NO.:	SCALE:	DRAWN BY: DATE:
REV.:	DRAWING NAME:	NTS	DJM

PLAN VIEW

PAGE 2



SECTION VIEW — DOOR FRAME



1600-B DOUBLE DOOR
UNIT -
VIEWED FROM OUTSIDE

SAMPLE

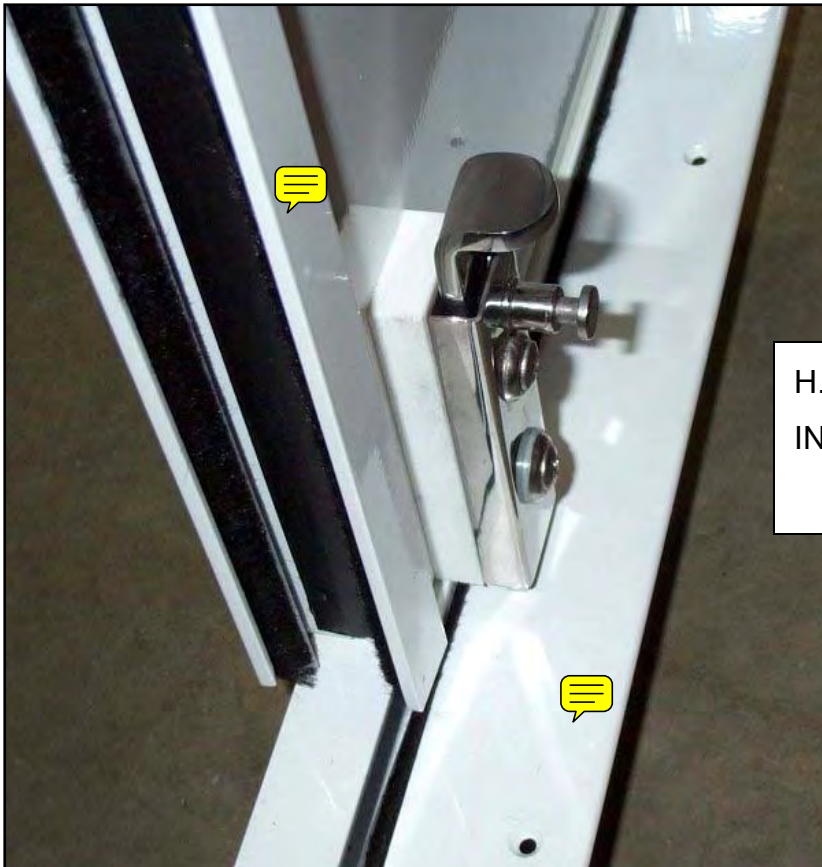


ASTRAGAL ON
PASSIVE DOOR AND
MOBELLA LOCK ON
ACTIVE DOOR
VIEWED FROM
OUTSIDE

INSIDE VIEW OF DOOR FLANGE



SAMPLE



H.D. SS. SLIDE BOLT
INSIDE OF PASSIVE DOOR