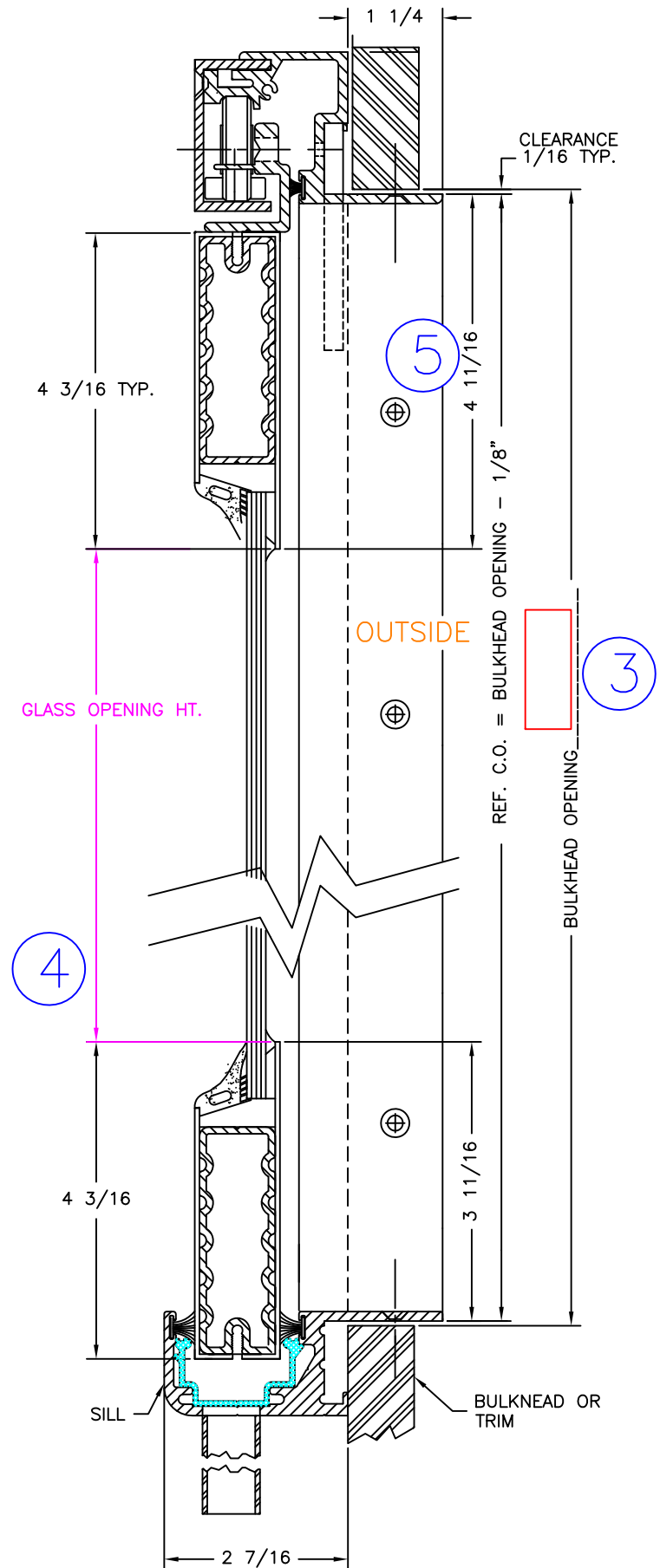
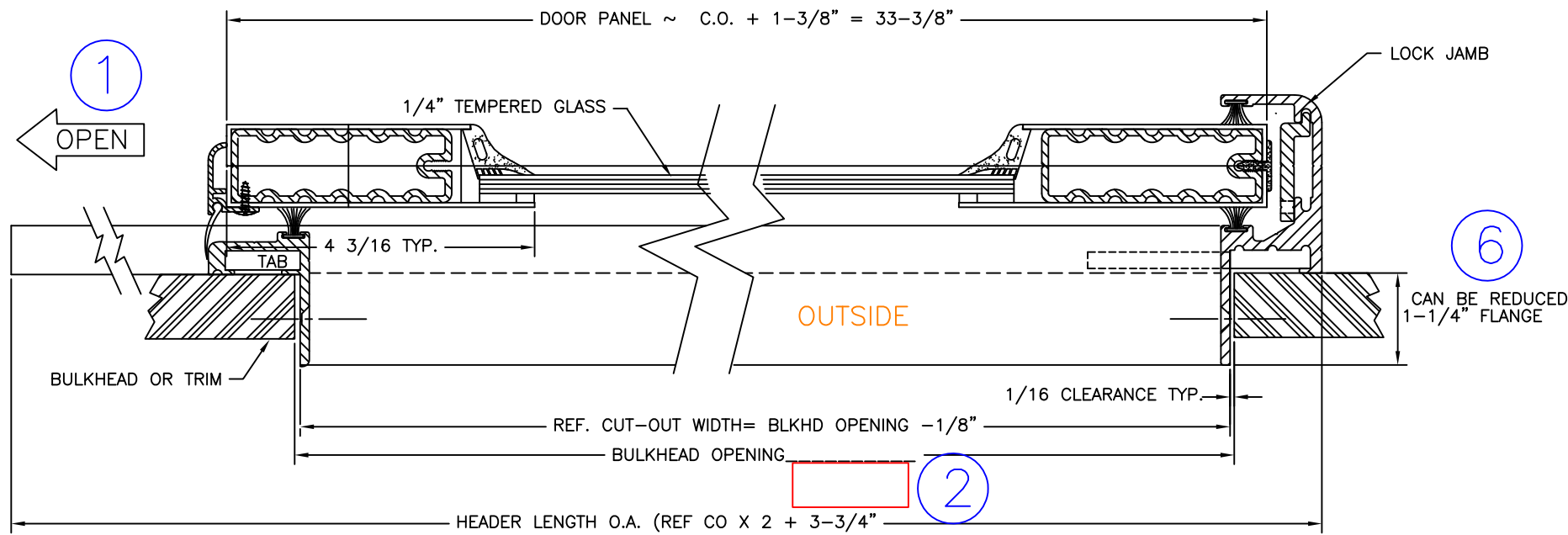


1600-B SLIDING CABIN CORE DOOR- TOP HUNG INSIDE MOUNT



WE DOWN-SIZE THE FRAME 1/8" IN WIDTH AND HT. FROM THE BULKHEAD OPENING DIMENSIONS ON THE BOAT FOR CLEARANCE

- ① SLIDE DIRECTION VIEWED FROM OUTSIDE
- ② BLKHD OPENING WIDTH (ON BOAT)
- ③ BLKHD OPENING HT. (ON BOAT)
- ④ GLASS HEIGHT.
- ⑤ TOP OF GLASS TO TOP CUT OUT-IF CHANGING DIMENSION
- ⑥ REDUCE FLANGE WIDTH?