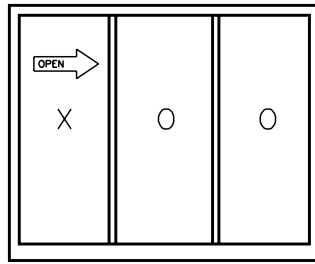
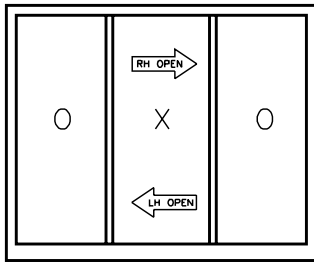
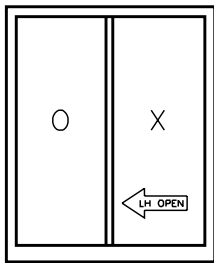


# Design Information

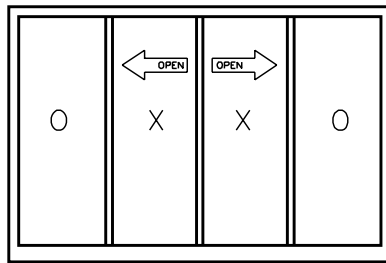
## Available Configurations:



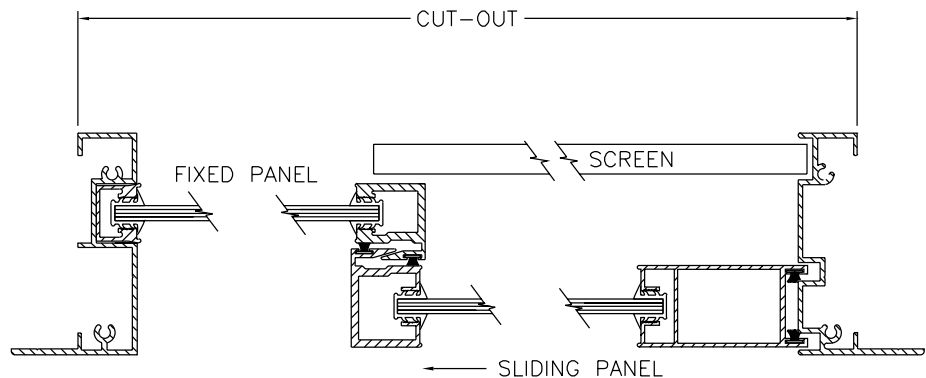
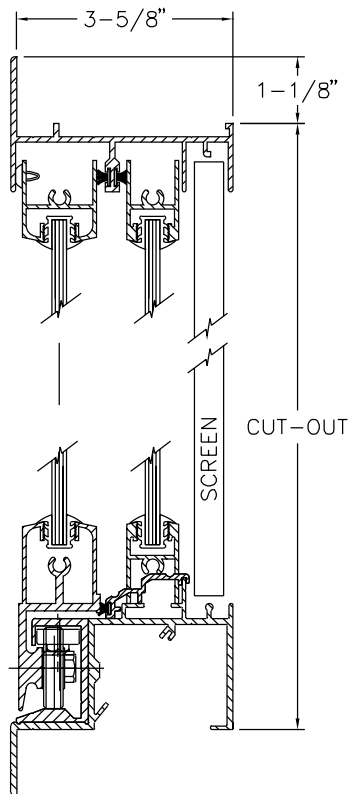
O-O-X opposite



X-O opposite



**X = Sliding**  
**O = Stationary**



## Application

Series 1600-A Sliding Doors are generally used in an aft bulkhead location as a cabin entry system, and are appropriate for motor yachts, sport cruisers, and houseboats.

## Fabrication

The master frame is of aluminum extrusion and is mechanically assembled for ease of shipment. Door panels are extruded to allow for glazing with 1/4" tempered glass. Master frame flanges allow for ease of installation.

## Hardware

Marine quality locksets, day-latches, handles, and security systems are available upon your request.

## Finish

Marine grade urethanes and polyester powder coatings in various standard and custom colors are available.