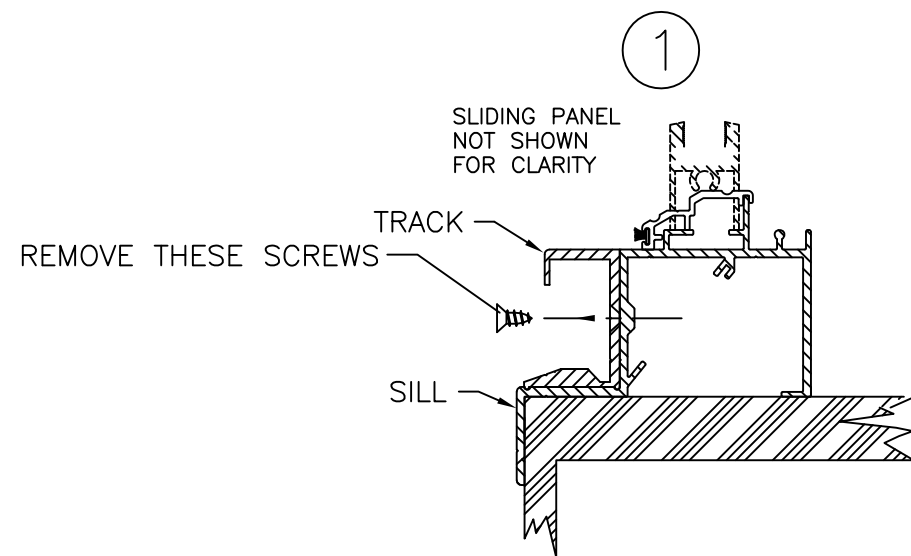
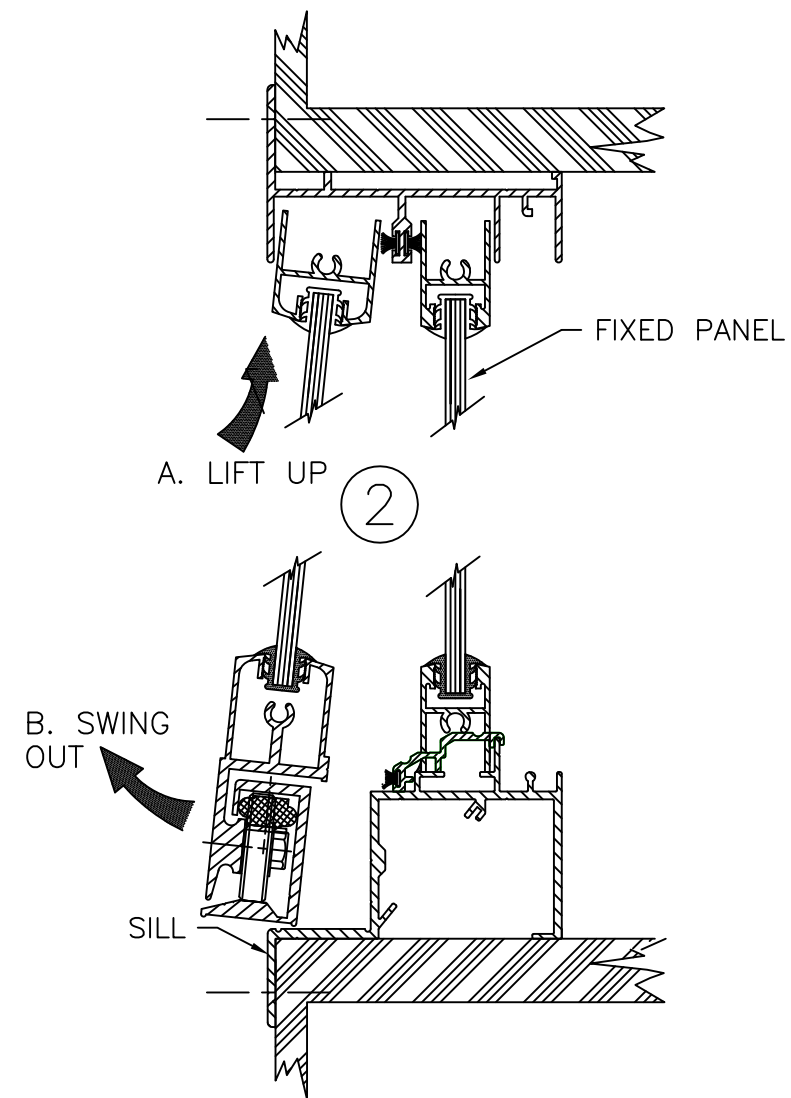


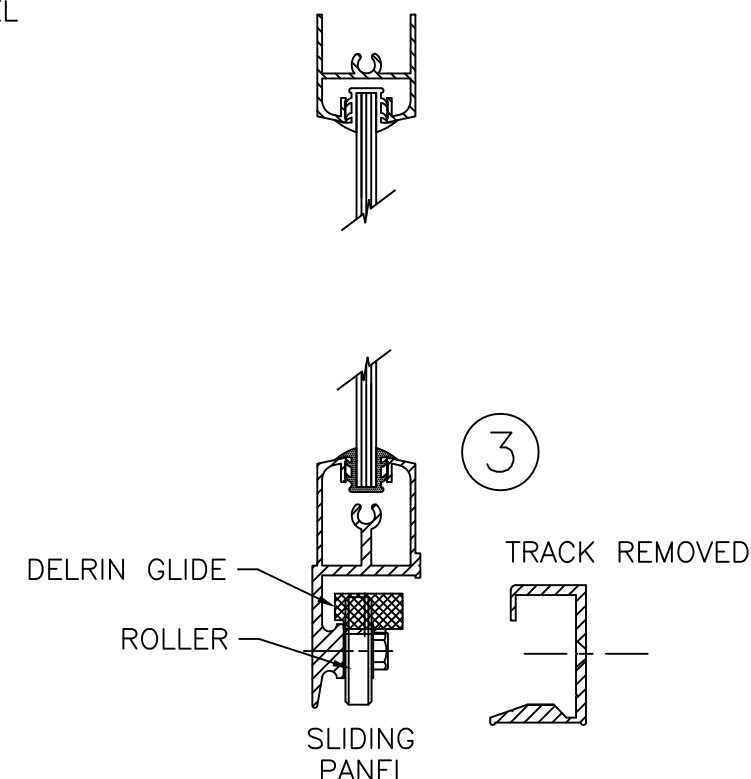
SLIDING PANEL IN POSITION



REMOVING TRACK FROM SILL

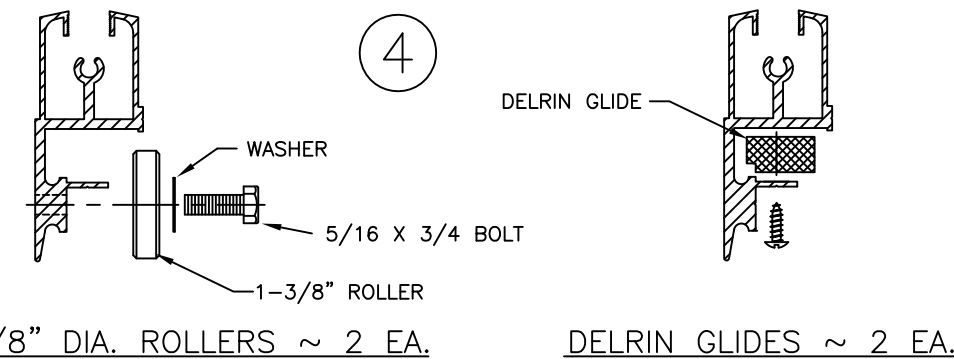


REMOVING PANEL FROM FRAME



REPLACING ROLLER ASSY. IN 1600-A DOOR

1. REMOVE TRACK FROM SILL BY REMOVING SCREWS FROM TRACK AS SHOWN. SLIDE DOOR FROM SIDE TO SIDE TO EXPOSE MOUNTING SCREWS IN TRACK.
2. WHEN ALL SCREWS ARE REMOVED, OPEN DOOR A FEW INCHES, LIFT SLIDING DOOR PANEL UP AND SWING BOTTOM OF PANEL OUT WITH TRACK ATTACHED, TO REMOVE DOOR PANEL.
3. REMOVE TRACK BY SLIDING IT OFF OF THE ROLLERS. ROLLERS ARE NOW EXPOSED FOR REPLACEMENT
4. REPLACE ROLLERS AND GLIDES WITH PARTS PORVIDED.



TO REPLACE PANEL...

1. SLIDE TRACK ONTO ROLLERS ON BOTTOM OF SLIDING PANEL. TILT TOP OF DOOR UP AND INTO HEADER POCKET. SWING BOTTOM OF DOOR WITH TRACK ATTACHED ONTO SILL.
2. ATTACH TRACK TO SILL, SLIDING DOOR BACK AND FORTH TO EXPOSE SCREW HOLES

USE 601-002 ROLLER ASSY. FOR 1600-A DOORS

NOTE: TO KEEP ROLLERS IN GOOD WORKING CONDTION, CLEAN AND RE-GREASE ROLLERS ONCE A YEAR USING A QUALITY MARINE GREASE.